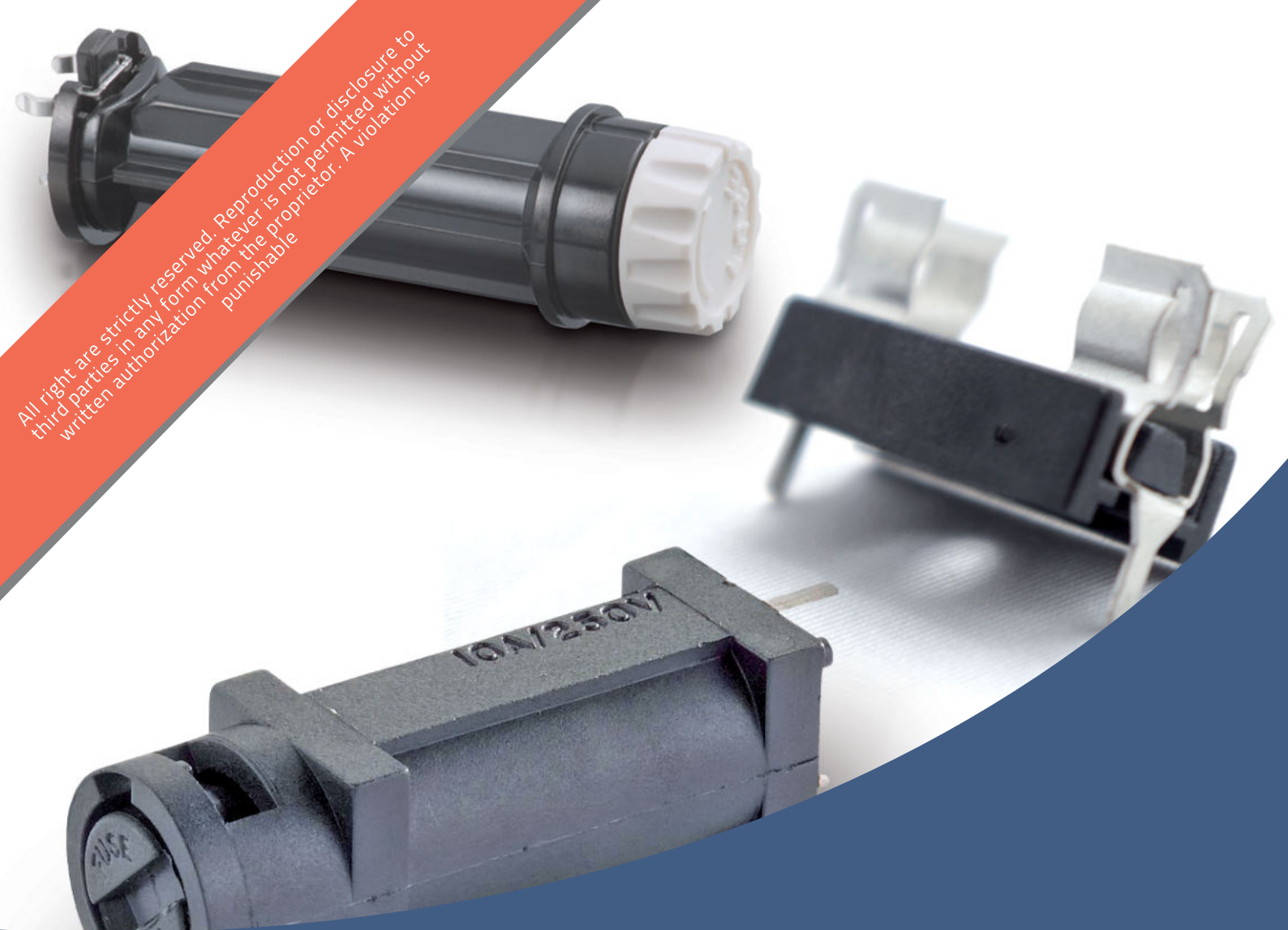


All rights are strictly reserved. Reproduction or disclosure to third parties in any form whatever is not permitted without written authorization from the proprietor. A violation is punishable.



P.C.B. FUSE HOLDERS PORTAFUSIBILI DA CIRCUITO STAMPATO



CODE
HT6W01

FUSE
FUSIBILE

6,3 X 32
mm

CURRENT RATING
CORRENTE NOM.

6,3 A

VOLTAGE RATING
TENSIONE NOM.

250 V

TERMINAL
TERMINALE

THT



PC 1

- ✓ **Fastening with screws M3 x 4,5 mm**
Fissaggio a vite M3 x 4,5 mm
- ✓ **Pitch 34 mm**
Passo 34 mm

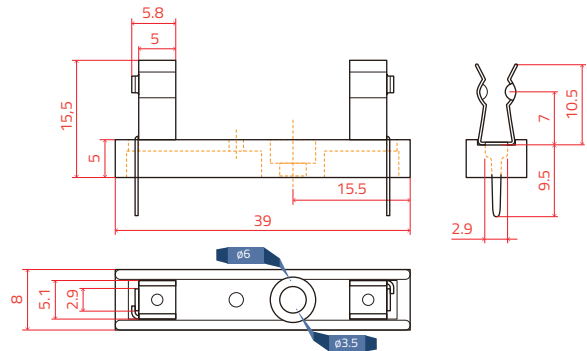
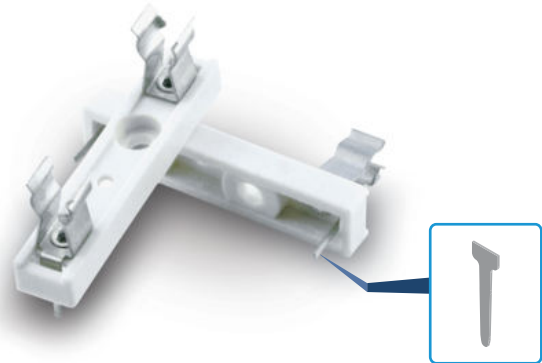


100 pz.

Contacts Contatti	CuZn
Plating Finitura	Tinned Stagnato
Rated voltage max. Tensione nom. max.	500 V

Ⓔ

Open body fuseholder
Portafusibile a corpo aperto



FUSES
FUSIBILI

GROUP	INT.	I. RATING I. NOM.	V. RATING TENS. NOM.	BREAKING CAPACITY CAPACITÀ DI ROTTURA	APPROVAL OMOLOGAZIONE	NORM	MATERIAL MATERIALE
632.300	T	32 mA ~ 30 A	250 V	35 A / 1000 A		Fabrique Norm. Norma di fabb.	Glass / Glass +EA Vetro / Vetro + PSA
UL 632.300	T	63 mA ~ 15 A	125 V / 250 V	35 A / 100 A 200 A 10.000 A		UL 248-14 UL 248-1	Glass Vetro
632.700	T	100 mA ~ 25 A	250 V / 500 V	35 A ~ 1.000 A		Fabrique Norm. Norma di fabb.	Cer / Cer + EA Cer / Cer + PSA
UL 632.700	T	63 mA ~ 15 A	125 V / 250 V	35 A / 100 A 200 A 10.000 A		UL 248-14 UL 248-1	Cer + EA Cer + PSA
632.900	T	50 mA ~ 2 A	500 V	35 A / 1.000 A		Fabrique Norm. Norma di fabb.	Glass Vetro
1.632.700	T	32 mA ~ 32 A	250 V ~ 500 V	1500 A		Fabrique Norm. Norma di fabb.	Cer + EA Cer + PSA
632.200	M	32 mA ~ 25 A	250 V	35 A / 1000 A		Fabrique Norm. Norma di fabb.	Glass / Glass + EA Vetro / Vetro + PSA
TDC180	F	1 A ~ 13 A	32 V	6.000 A		IEC 60269-3	Ceramic Ceramica
140.000	F	5 A ~ 40 A	32 V	-		Fabrique Norm. Norma di fabb.	Glass Vetro
632.000	F	80 mA ~ 25 A	250 V	1000 A		Fabrique Norm. Norma di fabb.	Glass / Glass + EA Vetro / Vetro + PSA
632.500	F	100 mA ~ 25 A	500 V	1000 A		Fabrique Norm. Norma di fabb.	Cer / Cer + EA Cer / Cer + PSA
UL 632.500	F	100 mA ~ 20 A	125 V / 250 V	35 A ~ 10.000 A		UL 248-14 UL 248-1	Cer + EA Cer + PSA
632.500-X	F	10 A ~ 30 A	500 V	20.000 A / 30.000 A		Fabrique Norm. Norma di fabb.	Cer + EA Cer + PSA
632.600	F	50 mA ~ 16 A	60 V / 150 V 250 V	35 A ~ 10 A		DIN 41668 EN 60127-2-4	Glass Vetro
UL 632.600	F	100 mA ~ 15 A	125 V / 250 V	35 A / 100 A 200 A / 10.000 A		UL 248-14 UL 248-1	Glass + EA Vetro + PSA
1632.500	F	160 mA ~ 25 A	440 V / 500 V	1500 A ~ 50000 A		Fabrique Norm. Norma di fabb.	Cer + EA Cer + PSA
632.100	FF	100 mA ~ 25 A	250 V / 500 V	35 A / 1500 A		Fabrique Norm. Norma di fabb.	Glass / Cer + EA Vetro / Cer + PSA
632.400	FF	100 mA ~ 2 A	1000 V	30 kA		Fabrique Norm. Norma di fabb.	Cer + EA Cer + PSA

All Pictures shown are for illustration purpose only. Specifications are subject to change without notice

Le immagini sono inserite a scopo illustrativo. I prodotti possono subire modifiche.



ELECTRONIC
ELECTROMECHANICAL
COMPONENTS
PARTNER & DEALER



Via Monferrato, 43
20098 San Giuliano Milanese
I T A L Y

T. +39 02 55.60.61.01
F. +39 02 55.60.71.43

www.klemi-contact.com