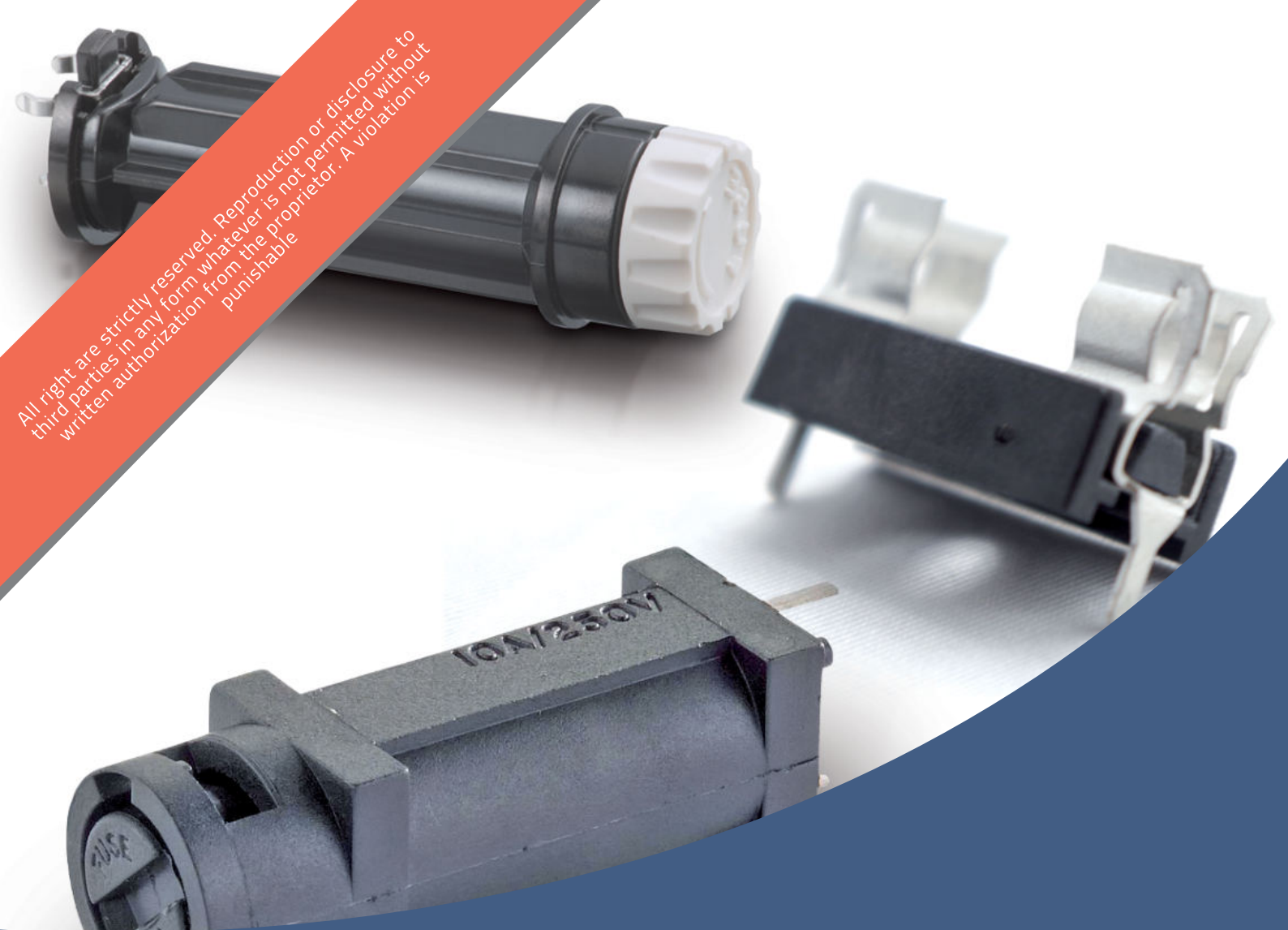


All rights are strictly reserved. Reproduction or disclosure to third parties in any form whatever is not permitted without written authorization from the proprietor. A violation is punishable.



## P.C.B. FUSE HOLDERS PORTAFUSIBILI DA CIRCUITO STAMPATO



CODE  
**HT5W13**

<b>FUSE FUSIBILE</b>	<b>CURRENT RATING CORRENTE NOM.</b>	<b>VOLTAGE RATING TENSIONE NOM.</b>	<b>MOUNTING MONTAGGIO</b>
<b>5 X 20<sub>mm</sub></b>	<b>10 A</b>	<b>250 V</b>	<b>THT</b>



PC 1

IP 40

IEC 61140

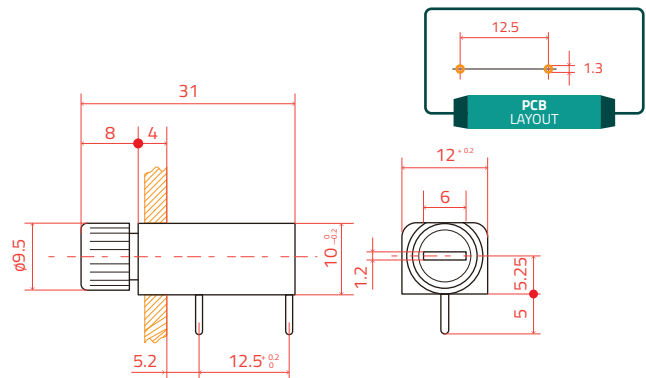
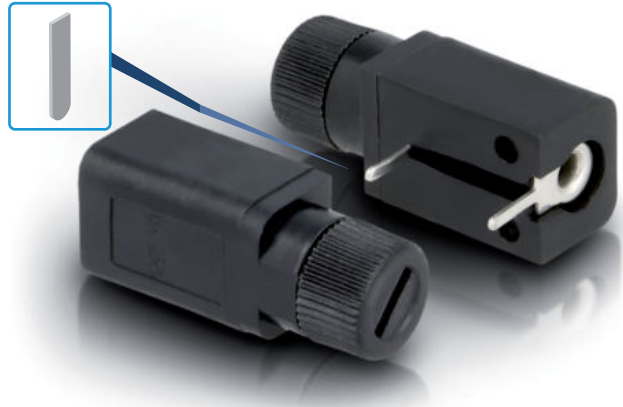
**Fingergrip**  
Antiscivolo



100 pz.

<b>Housing</b> Corpo isolante	Thermoplastic Termoplastico	Black Nero	<b>UL 94 V-0</b>
<b>Contacts</b> Contatti	Alloy Legia	Cu + Sn	
<b>Operating temperature</b> Temperatura operativa	Min. -40°C / Max. +85°C @ 10 A		
<b>Power dissipation</b> Potenza dissipata	1,6 W		
<b>Contact resistance</b> Resistenza di contatto	< 5 mΩ @ 20 mV		

**Closed body horizontal fuseholder**  
Portafusibile orizzontale a corpo chiuso



**FUSES FUSIBILI**

GROUP	INT.	I. RATING I. NOM.	V. RATING TENS. NOM.	BREAKING CAPACITY CAPACITÀ DI ROTTURA	APPROVAL OMOLOGAZIONE	NORM	MATERIAL MATERIALE
522.400	TT	100 mA ~ 10 A	250 V	35 A		Fabrique Norm. Norma di fabb.	Glass Vetro
522.000	T	1,6 A ~ 16 A	250 V	300 A		DIN 41.571-3	Glass + EA Vetro + PSA
UL 522.200	T	80 mA ~ 10 A	125 V - 250 V	35 A / 100 A 200 A / 10.000 A		UL 248-14 UL 248-1	Glass Vetro
522.300	T	32 mA ~ 10 A	250 V	150 A		EN 60127-2-6	Glass Vetro
522.500	T	32 mA ~ 12,5 A	250 V	35 A ~ 125 A		EN 60127-2-3	Glass Vetro
522.600	T	100 mA ~ 10 A	250 V	200 A		EN 60127-2-5	Cer + EA Cer + PSA
522.700	T	100 mA ~ 12,5 A	250 V	1500 A		EN 60127-2-5	Cer / Cer + EA Cer / Cer + PSA
521.000	M	32 mA ~ 20 A	250 V	80 A ~ 300 A 1000 A		DIN 41.571-2	Glass / Glass + EA Vetro / Vetro + PSA
UL 521.000	M	100 mA ~ 7 A	250 V	35 A / 100 A 10.000 A		UL 248-14 UL 248-1	Glass Vetro
521.500	M	630 mA ~ 16 A	250 V	1500 A		Fabrique Norm. Norma di fabb.	Cer + EA Cer + PSA
520.000	F	500 mA ~ 16 A	250 V	20 A ~ 1000 A		DIN 41.571-1	Glass + EA Vetro + PSA
520.500	F	50 mA ~ 16A	250 V	1500 A		EN 60127-2-1 DIN 41.660	Ceramic Ceramica
520.600	F	32 A ~ 10 A	250 V	35 A / 100 A		EN 60127-2-2 DIN 41.661	Glass Vetro
UL 520.600	F	80 mA ~ 10 A	125 V / 250 V	35 A / 100 A 200 A / 10.000 A		UL 248-14 UL 248-1	Glass Vetro
520.100	FF	100 mA ~ 16 A	250 V	35 A / 1500 A		IEC 60127-2/A2	Glass / Cer + EA Vetro / Cer + PSA
528.100	M	32 mA ~ 10 A	250 V	80 A / 1500 A		DIN 41557-2	Cer + EA Cer + PSA
520.100-420V	FF	8 A ~ 16 A	420 V	200 A ac 300 A dc		Fabrique Norm. Norma di fabb.	Cer + EA Cer + PSA

All Pictures shown are for illustration purpose only. Specifications are subject to change without notice

Le immagini sono inserite a scopo illustrativo. I prodotti possono subire modifiche.



ELECTRONIC  
ELECTROMECHANICAL  
COMPONENTS  
PARTNER & DEALER



Via Monferrato, 43  
20098 San Giuliano Milanese  
I T A L Y

T. +39 02 55.60.61.01  
F. +39 02 55.60.71.43

[www.klemi-contact.com](http://www.klemi-contact.com)