

All rights are strictly reserved. Reproduction or disclosure to third parties in any form whatever is not permitted without written authorization from the proprietor. A violation is punishable.



ROTARY SWITCH COMMUTATORI ROTATIVI

MX/MXD/EMXD

Commutatore rotativo miniaturizzato



Miniature switch with 1 to 6 wafers.

- Multi-wafer version for conventional wiring.
- Single-wafer switch EMXD for direct PCB soldering to PC boards.
- 1 to 4 circuits per wafer. Detent angle 30° or 60°.
- Adjustable stops.
- Special version watertight against front panel available.
- Version MX/EMX: Without or with fixed stops. Detent angle 30°, 36° or 60°
- Special designs on request.

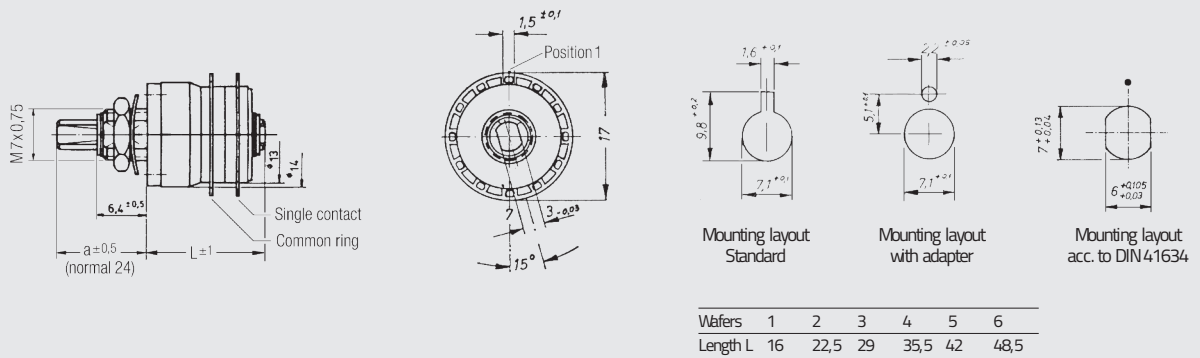
1.0 Construction	
1.1 Number of wafers max.	6 wafers
1.2 Switching combinations per wafer	—
Design B, detent angle 60°	1x6 to 1x2; 2x3 to 2x2; 3x2; 4x2
Design D, detent angle 36° (Typ MX/EMX)	1x6 to 1x2; 2x3 to 2x2; 3x2; 4x2
Design E, detent angle 30°	1x12 to 1x2; 2x6 to 2x2; 3x4 to 3x2; 4x3 to 4x2
1.3 Contacts	Soldering lugs, single-wafer switch, also pins
1.4 Mounting	Central mounting

2.0 Electrical Data		Ag-version	AuNi-version
2.1 Switching power max.		10VA / W	6 VA / W
2.2 Switching voltage max.		115 V –	60 V –
2.3 Switching current max.		0,5 A	0,25 A
2.4 Rest current max. at ∂u 20°C		2 A	1,5 A
2.5 Test voltage at 50 Hz	between contacts	900 V	700 V
	contact / ground	1000 V	800 V
2.6 Life expectancy without power		≥ 25000 cycles	≥ 25000 cycles
2.7 Contact resistance initial value		≤ 12 m Ω	≤ 10 m Ω
2.8 Insulation resistance		$\geq 10^{11}\Omega$	$\geq 10^{11}\Omega$
2.9 Capacity between 2 contacts		~ 1pF	~ 1pF

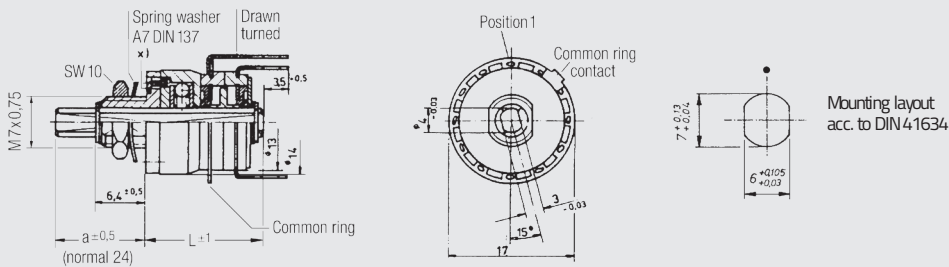
3.0 Mechanical Data		
3.1 Switching mode	Shorting or non-shorting	
3.2 Stops	MXD	Variable
	MX/EMX	Fixed or without stop
3.3 Operating torque acc. to design	$\geq 3,5$ Ncm	
3.4 Stop strength	≥ 70 Ncm	
3.5 Fastening torque max.	≥ 120 Ncm	
3.6 Dust protection	Sealed wafer	

4.0 Other Data		
4.1 Contact material	Ag or AuNi	
4.2 Insulating material	Wafer	Diallylphthalate, DAP; code DI
	Rotor	Polycarbonate, PC
4.3 Soldering time and temperature max.		5s at 260°C
		3s at 350°C, manual soldering

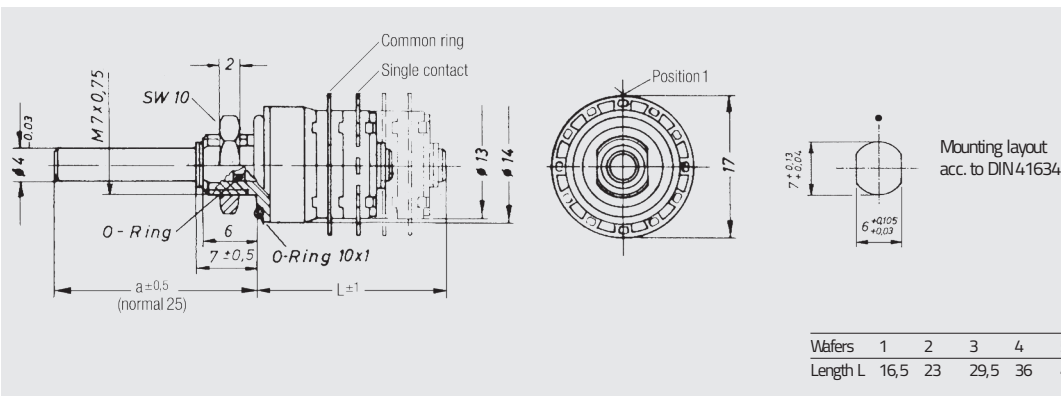
Dimensional Drawings · Dimensions in mm



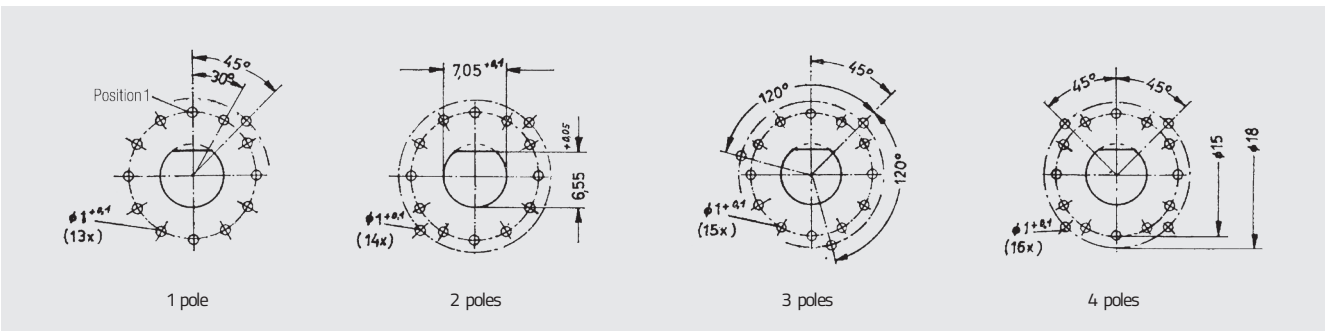
MXD · Soldering lugs with variable stop



EMXD · PC-board version with variable stop



MX · Watertight version



Hole location diagrams – view from the frontside

Klemi Contact pursues a policy of continuous development and reserves the right to make changes or updates without notice, the design, materials or technical specifications of any product, the information contained in this file/datasheet and to stop distributing any product described. Images are included for illustrative purposes. The products are subject to change.



Klemi Contact persegue una politica di continuo sviluppo e si riserva il diritto di apportare modifiche o aggiornare senza preavviso, il design, i materiali o le specifiche tecniche di qualsiasi prodotto, le informazioni contenute in questo file/scheda dati e di interrompere la distribuzione di qualsiasi prodotto descritto. Le immagini sono inserite a scopo illustrativo. I prodotti possono subire modifiche.



ELECTRONIC
ELECTROMECHANICAL
COMPONENTS
PARTNER & DEALER

FOLLOW US ON SOCIAL MEDIA!



Via Monferrato, 43
20098 San Giuliano Milanese
ITALY

T. +39 02 55.60.61.01
F. +39 02 55.60.71.43

www.klemi-contact.com