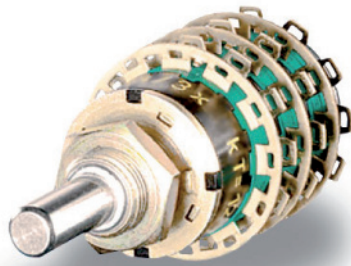


All rights are strictly reserved. Reproduction or disclosure to third parties in any form whatever is not permitted without written authorization from the proprietor. A violation is punishable.



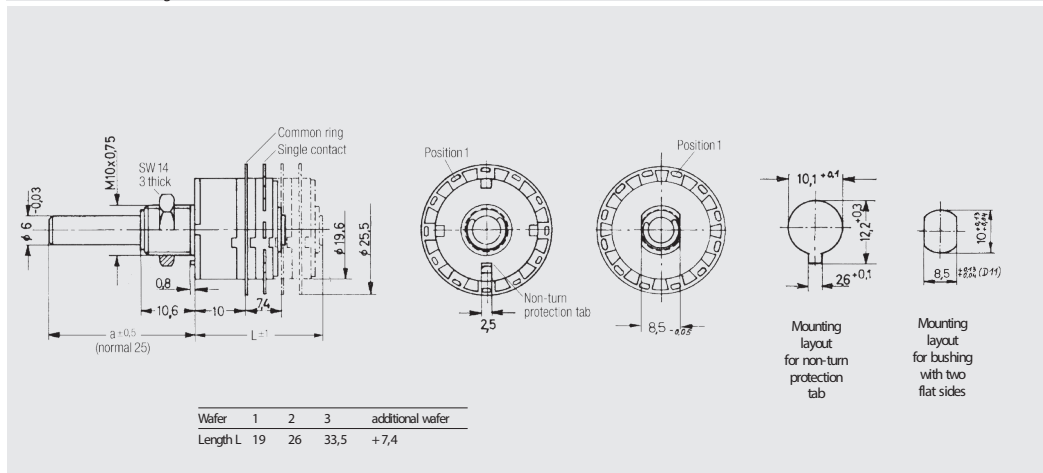
ROTARY SWITCH COMMUTATORI ROTATIVI



GX

Commutatore rotativo fino a 10 banchi – Da 1 a 6 poli per banco

Dimensional Drawings · Dimensions in mm



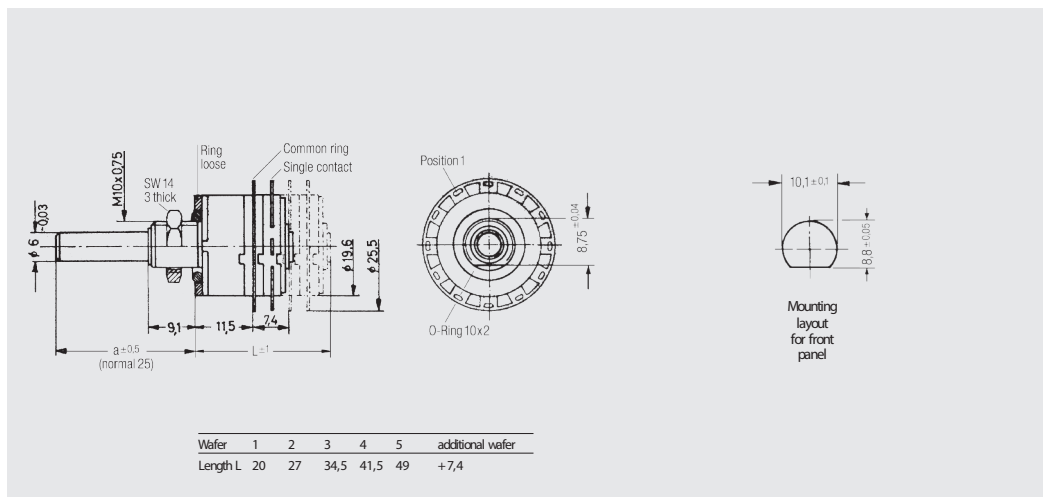
GX · Standard version

FEATURES

Commutazione cortocircuitante o non cortocircuitante

Fornibile con doppio alberino e banchi distanziati

Commutatore rotativo 6 poli per banco



GX · Watertight version

OPTION

Commutatore rotativo con molla di richiamo

Commutatore disponibile con stagno fronte pannello su richiesta

Tolerances of shaft diameter in stainless steel or nickel silver $\varnothing 4h9$; $\varnothing 6-0,04$; $\varnothing 6,35 h9$.

With galvanic application
 $\varnothing 4 \pm 0,03$; $\varnothing 6 \pm 0,03$.

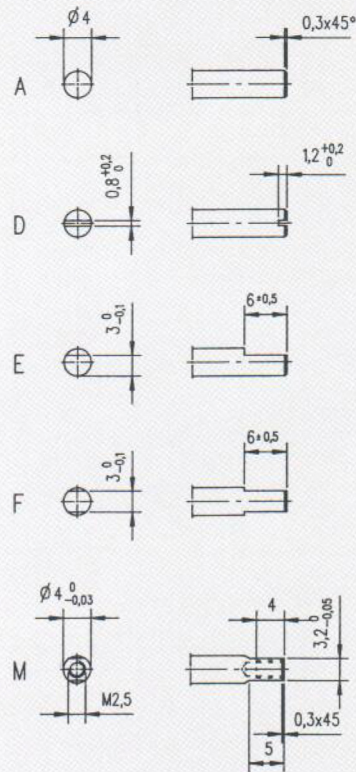
The shafts are shown in switching position 1 respectively in anti clock-wise (CCW) end position, viewed from the shaft side of the switch.

By deviation of this position it is necessary to give us an exact description or a drawing, also by differing shaft forms.

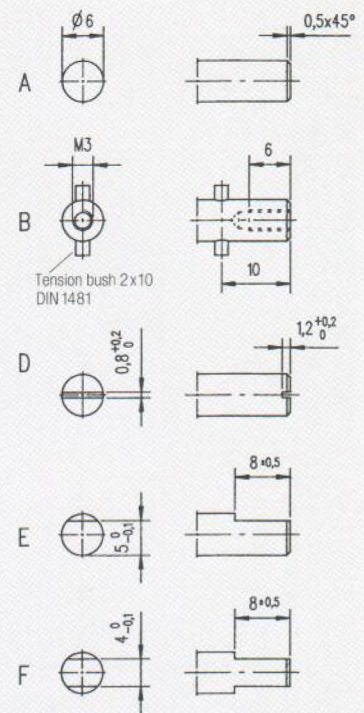
A	Standard shaft round
B	Shaft with tension bush and thread
C	Hollow shaft
D	Shaft with screw driver slot
E	Shaft with flat side
F	Shaft with 2 flat sides
M	Shaft with flat sides and thread (MIL)
N	Shaft with rotary knob
S	Other shaft forms, deviate from A to N

*For switches with plastic shafts please consult the corresponding product descriptions.

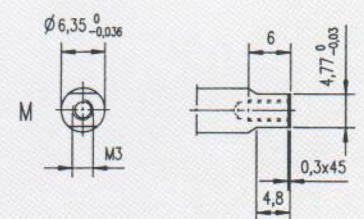
Shaft designs with $\varnothing 4$ mm



Shaft designs with $\varnothing 6$ mm



Shaft designs with $\varnothing 6,35$ mm



Klemi Contact pursues a policy of continuous development and reserves the right to make changes or updates without notice, the design, materials or technical specifications of any product, the information contained in this file/datasheet and to stop distributing any product described. Images are included for illustrative purposes. The products are subject to change.

Klemi Contact persegue una politica di continuo sviluppo e si riserva il diritto di apportare modifiche o aggiornare senza preavviso, il design, i materiali o le specifiche tecniche di qualsiasi prodotto, le informazioni contenute in questo file/scheda dati e di interrompere la distribuzione di qualsiasi prodotto descritto. Le immagini sono inserite a scopo illustrativo. I prodotti possono subire modifiche.



ELECTRONIC
ELECTROMECHANICAL
COMPONENTS
PARTNER & DEALER

FOLLOW US ON SOCIAL MEDIA!



Via Monferrato, 43
20098 San Giuliano Milanese
ITALY

T. +39 02 55.60.61.01
F. +39 02 55.60.71.43

www.klemi-contact.com