

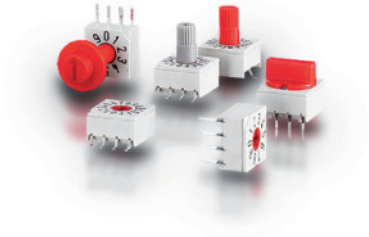
All rights are strictly reserved. Reproduction or disclosure to third parties in any form whatever is not permitted without written authorization from the proprietor. A violation is punishable.



CODE SWITCH COMMUTATORI A CODICE

SCS10

Commutatore a codice miniaturizzato a tenuta stagna per saldatura diretta su circuiti stampati e SMT codifica BCD o esadecimale 10 o 16 posizioni



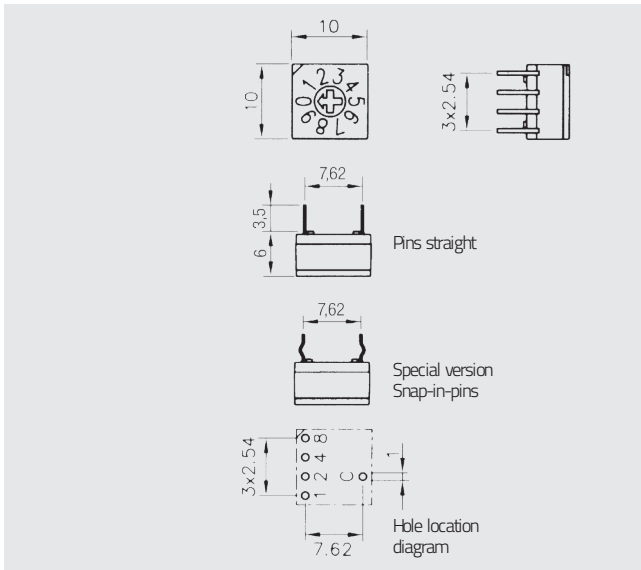
SCS 10 · Additional actuators

Washtight miniature code switch for direct soldering to printed circuits and SMT.

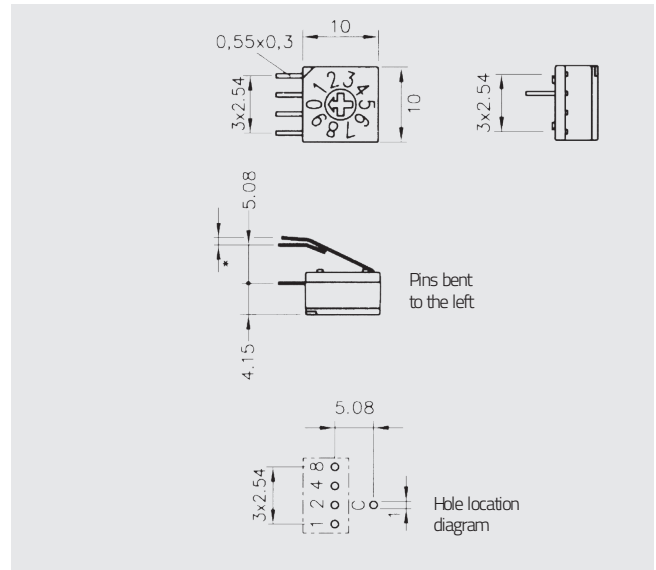
- Pins in grid 4 + 1.
- BCD or hexadecimal code, 10 or 16 switching positions.
- Shaft parallel or rectangular to PC-board.
- Operating by plastic shaft, segment wheel or operating knob with cross slot.
- Small dimensions: 10 x 10 x 6,5 mm.
- Very long life-expectancy.
- Impermeable to flux and cleaning agents, therefore easy processing
- Insensitive to aggressive atmosphere, dust etc.
- Switches are delivered with screw-driver slot(X). – Please order additional actuators separately.

1.0 Construction	
1.1 Number of wafers max.	1 Wafer
1.2 Switching combinations per wafer Design D, detent angle 36°	Code 51, BCD ; Code 52, BC D-Complement
Design H, detent angle 22,5°	Code 61, Hexadecimal Code 62, Hexadecima l-C omplement
1.3 Contacts	Soldering pins · SMT – Gullwing
1.4 Mounting	Soldering
2.0 Electrical Data	
2.1 Switching power max.	3,6 VA/W
2.2 Switching voltage max.	24 V~
2.3 Switching current max.	150 mA
2.4 Rest current max. at θ_u 20°C	400 mA
2.5 Test voltage at 50 Hz	250 V
2.6 Life expectancy <u>without electrical load</u>	$\geq 10\,000$ detents
<u>with power max.</u>	$\geq 10\,000$ detents
2.7 Contact resistance initial value	$\leq 100\text{ m}\Omega$
2.8 Insulation resistance	$\geq 10^8\Omega$
3.0 Mechanical Data	
3.1 Stops	Without stop
3.2 Operating torque	$\geq 0,7\text{ Ncm}$
3.3 Vibratory strength	10 g, 10–500 Hz
3.4 Shock strength	50 g
3.5 Dust protection	Sealed wafers
4.0 Other Data	
4.1 Contact material	Au
4.2 Insulating material	Polyacetal, POM; UL94 V1; Code PM
4.3 Ambient temperature	-20 to 85°C
4.4 Soldering time and temperature max.	2s/340°C manual soldering 10s/260°C with wave soldering 40s/215°C with reflow soldering
Ordering Codes	
Designation of type	SCS 10
1. Code	51, 52, 61 or 62
2. Distribution over 360°	10 or 16
3. Contacts and mounting position	C = PC pins 7,62 mm: Vertical mounting, shaft rectangular to PC board D = PC pins 5,08 mm: Horizontal mounting, shaft parallel to PC board B = Gullwing for SMT: Vertical mounting, shaft rectangular to PC board
4. Operation mode	X = Screw-driver slot (please order additional actuators separately)

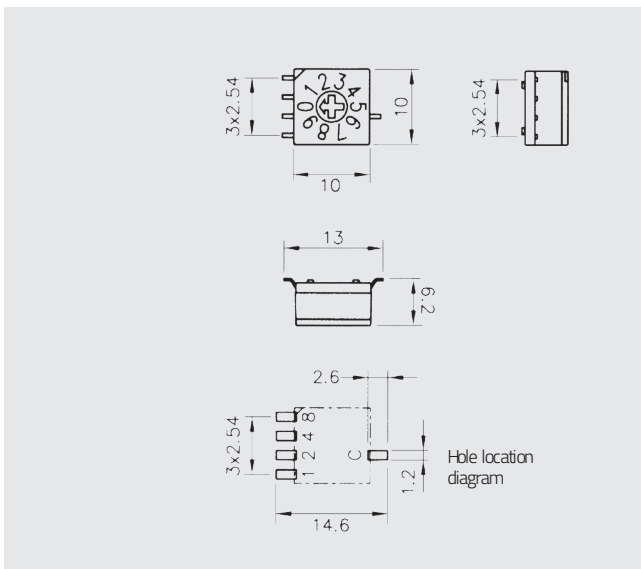
Dimensional Drawings · Dimensions in mm



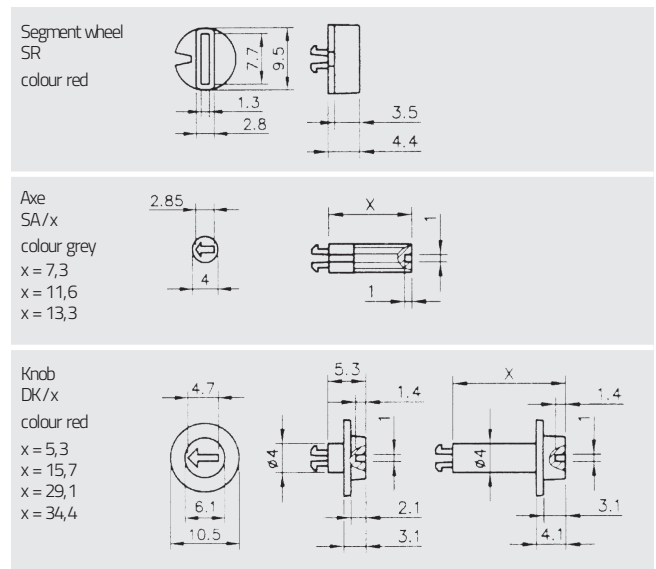
SCS 10 · Standard version



SCS 10 · Horizontal version



SCS 10 · SMT version



SCS 10 · Additional operating elements

Code 51	C connect- ed with	Code 52	C connect- ed with	Code 61	C connect- ed with	Code 62	C connect- ed with
BCD	1 2 4 8	BCD Complement	1 2 4 8	Hexadecimal	1 2 4 8	Hexadecimal Complement	1 2 4 8
0			● ● ● ●	0			● ● ● ●
1	●		● ● ● ●	1	●		● ● ● ●
2	● ●		● ● ● ●	2	● ●		● ● ● ●
3	● ● ●		● ● ● ●	3	● ● ●		● ● ● ●
4	● ● ● ●		● ● ● ●	4	● ● ● ●		● ● ● ●
5	● ● ● ●		● ● ● ●	5	● ● ● ●		● ● ● ●
6	● ● ● ●		● ● ● ●	6	● ● ● ●		● ● ● ●
7	● ● ● ●		● ● ● ●	7	● ● ● ●		● ● ● ●
8	● ● ● ●		● ● ● ●	8	● ● ● ●		● ● ● ●
9	● ● ● ●		● ● ● ●	9	● ● ● ●		● ● ● ●
				A	● ● ● ●		● ● ● ●
				B	● ● ● ●		● ● ● ●
				C	● ● ● ●		● ● ● ●
				D	● ● ● ●		● ● ● ●
				E	● ● ● ●		● ● ● ●
				F	● ● ● ●		● ● ● ●

SCS 10 · Codes

Klemi Contact pursues a policy of continuous development and reserves the right to make changes or updates without notice, the design, materials or technical specifications of any product, the information contained in this file/datasheet and to stop distributing any product described. Images are included for illustrative purposes. The products are subject to change.

Klemi Contact persegue una politica di continuo sviluppo e si riserva il diritto di apportare modifiche o aggiornare senza preavviso, il design, i materiali o le specifiche tecniche di qualsiasi prodotto, le informazioni contenute in questo file/scheda dati e di interrompere la distribuzione di qualsiasi prodotto descritto. Le immagini sono inserite a scopo illustrativo. I prodotti possono subire modifiche.



ELECTRONIC
ELECTROMECHANICAL
COMPONENTS
PARTNER & DEALER

FOLLOW US ON SOCIAL MEDIA!



Via Monferrato, 43
20098 San Giuliano Milanese
ITALY

T. +39 02 55.60.61.01
F. +39 02 55.60.71.43

www.klemi-contact.com