

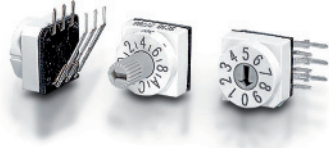
All rights are strictly reserved. Reproduction or disclosure to third parties in any form whatever is not permitted without written authorization from the proprietor. A violation is punishable.



CODE SWITCH COMMUTATORI A CODICE

SC10

Commutatore a codice miniaturizzato – Stagno – Da circuito stampato PTH



Washtight miniature code switch for direct soldering to printed circuits.

- Pins in grid 3 + 3.
- BCD or hexadecimal code, 10 or 16 switching positions.
- Shaft parallel or rectangular to PC-board.
- Operating by plastic shaft, screwdriver slot or operating knob.
- Small dimensions: 10 x 10 x 6,5 mm.
- High life-expectancy.
- Trouble-free mounting due to tightness, against flux and cleaning agents.
- Insensitive to aggressive atmosphere, dust etc.
- Switches are delivered with screwdriver slot – If additional actuators shall be mounted, version X with cross slot has to be ordered separately. Additional actuators have to be ordered separately.
- Packed in tubes of 50 switches each.

1.0 Construction	
1.1 Number of wafers max.	1 wafer
1.2 Switching combinations per wafer	—
Design D, detent angle 36°	Code 51, BCD; Code 52, BCD-Complement
Design H, detent angle 22,5°	Code 61, Hexadecimal Code 62, Hexadecimal-Complement
1.3 Contacts	Soldering pins
1.4 Mounting	Soldering

2.0 Electrical Data	
2.1 Switching power max.	1,5 VA/W
2.2 Switching voltage max.	24 V~
2.3 Switching current max.	150 mA
2.4 Rest current max. at Δu 20°C	400 mA
2.5 Test voltage at 50 Hz	100 V
2.6 Life expectancy	without electrical load $\geq 10\,000$ detents with power max. $\geq 10\,000$ detents
2.7 Contact resistance	initial value $\leq 80\,m\Omega$ after life expectancy $\leq 100\,m\Omega$
2.8 Insulation resistance	$\geq 10^8\,\Omega$

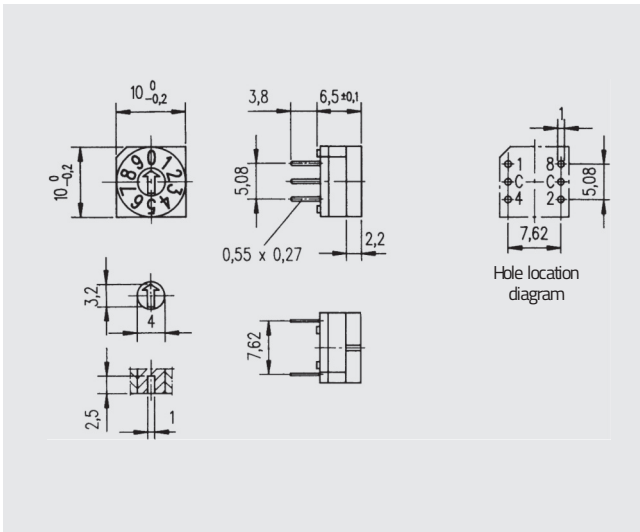
3.0 Mechanical Data	
3.1 Stops	Without stop
3.2 Operating torque	$\geq 0,5\,Ncm$
3.3 Vibratory strength	10 g, 10–500 Hz
3.4 Shock strength	50 g
3.5 Dust protection	Sealed wafers
3.6 Cleaning *	Complete immersion in ultrasonic bath

* With the known agents as Freon, Methanol, Trichloräthylen etc.

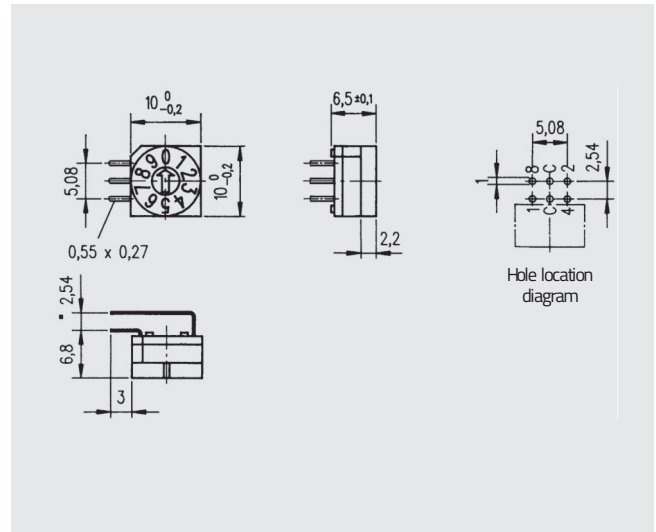
4.0 Other Data	
4.1 Contact material	Au
4.2 Insulating material	Polyacetal, POM, UL 94 V1; Code PM
4.3 Ambient temperature	-20 to 70°C
4.4 Soldering time and temperature max.	10 s at 260°C 2 s at 340°C

Ordering Codes	
Designation of type	SC 10
1. Contacts and mounting position	V1 = PC pins 7,62 mm: Vertical mounting, shaft rectangular to PC board H1 = PC pins 2,54 mm: Horizontal mounting, shaft parallel to PC board H2 = PC pins 5,08 mm: Horizontal mounting, shaft parallel to PC board
2. Code	51, 52, 61 or 62
3. Distribution	D = 10, H = 16
4. Operation mode	S = Screw driver slot, X = Cross slot for additional actuator

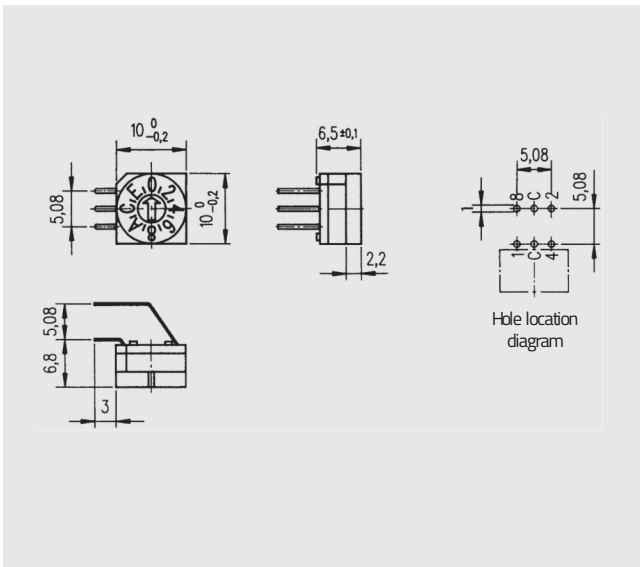
Dimensional Drawings · Dimensions in mm



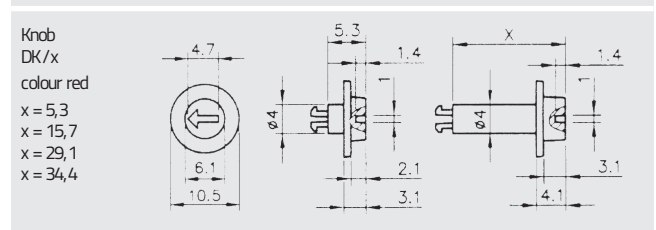
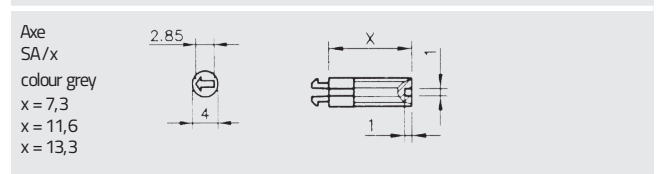
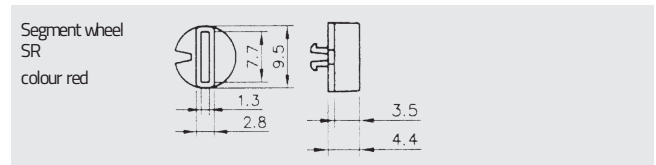
SC 10 · Vertical mounting. Version with screw driver slot



SC 10 · Horizontal mounting. Spacing of connections 2,54 mm



SC 10 · Horizontal mounting. Spacing of connections 5,08 mm



SC 10 · Additional actuators

51	C connected with			
	1	2	4	8
0				
1	•			
2		•		
3	•		•	
4		•		•
5	•		•	
6		•		•
7	•	•	•	
8		•		•
9	•		•	

Code 51
BCD

52	C connected with			
	1	2	4	8
0	•	•	•	•
1		•	•	•
2	•		•	•
3	•	•		•
4	•	•	•	
5		•	•	•
6	•		•	•
7		•	•	•
8	•	•		•
9		•	•	

Code 52
BCD
Complement

61	C connected with			
	1	2	4	8
0				
1	•			
2		•		
3	•		•	
4		•		•
5	•		•	
6		•		•
7	•	•	•	
8		•		•
9	•		•	
A		•		•
B	•		•	
C	•	•	•	
D		•		•
E	•		•	
F		•		•

Code 61
Hexadecimal

62	C connected with			
	1	2	4	8
0	•	•	•	•
1		•	•	•
2	•		•	•
3	•	•		•
4	•	•	•	
5		•	•	•
6	•		•	•
7		•	•	•
8	•	•		•
9		•	•	
A	•		•	
B		•		•
C	•	•	•	
D		•		•
E	•		•	
F		•		•

Code 62
Hexadecimal
Complement

SC 10 · Codes

Klemi Contact pursues a policy of continuous development and reserves the right to make changes or updates without notice, the design, materials or technical specifications of any product, the information contained in this file/datasheet and to stop distributing any product described. Images are included for illustrative purposes. The products are subject to change.



Klemi Contact persegue una politica di continuo sviluppo e si riserva il diritto di apportare modifiche o aggiornare senza preavviso, il design, i materiali o le specifiche tecniche di qualsiasi prodotto, le informazioni contenute in questo file/scheda dati e di interrompere la distribuzione di qualsiasi prodotto descritto. Le immagini sono inserite a scopo illustrativo. I prodotti possono subire modifiche.



ELECTRONIC
ELECTROMECHANICAL
COMPONENTS
PARTNER & DEALER

FOLLOW US
ON SOCIAL MEDIA!



Via Monferrato, 43
20098 San Giuliano Milanese
ITALY

T. +39 02 55.60.61.01
F. +39 02 55.60.71.43

www.klemi-contact.com