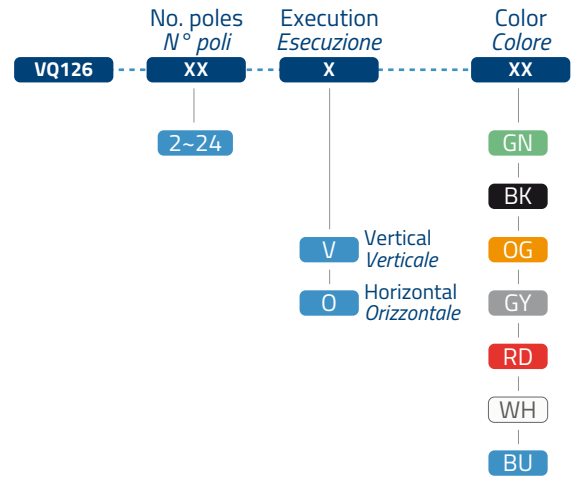
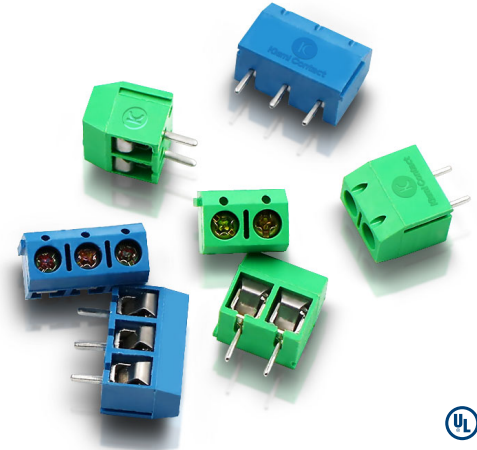


PCB terminal block - 5.08 mm pitch  
 Morsetto da circuito stampato - passo 5.08 mm



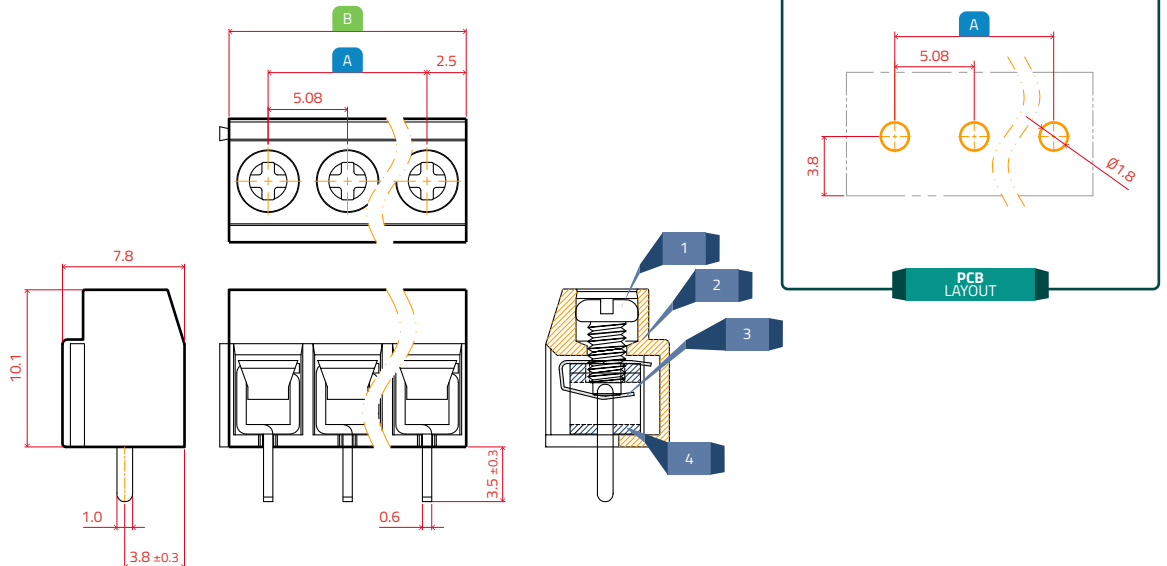
## TECHNICAL CHARACTERISTICS CARATTERISTICHE TECNICHE

Pitch <i>Passo</i>	5.08 mm	
Housing <i>Corpo isolante</i>	2	PA66 <b>UL 94 V-0</b>
Color <i>Colore</i>	Green, Black, Orange, Gray, Red, White, Blue <i>Verde, Nero, Arancione, Grigio, Rosso, Bianco, Blu</i>	
Clamp material <i>Materiale del morsetto</i>	3	Stainless steel <i>Acciaio</i>
Pin header	4	CuZn - Sn
Screw <i>Vite</i>	1	M2.5 steel - Zn (Torque 0.4 Nm) <i>M2.5 acciaio - Zn (Serraggio 0.4 Nm)</i>
Rated voltage <i>Tensione nominale</i>	UL: 300 V - IEC: 250 V	
Rated current <i>Corrente nominale</i>	UL: 10 A - IEC: 18A	
Insulation resistance <i>Resistenza d'isolamento</i>	500 MΩ @ 500 Vdc	
Withstanding voltage for 60 sec. <i>Capacità di sovraccarico per 60 sec.</i>	2000 Vac	
Wire range <i>Cavo</i>	20 ~ 14 AWG / 2.5 mm <sup>2</sup>	
Strip length <i>Lunghezza spelatura</i>	6 ~ 7 mm	
Operating temperature <i>Temperatura operativa</i>	-40°C / +105°C	
Soldering temperature <i>Temperatura di saldatura</i>	250°C ± 5 / 5 sec.	



## DISEGNO 2D [mm] 2D DRAWING [mm]

POLES	A	B
2	5.08 ± 0.15	10.16 ± 0.30
3	10.16 ± 0.15	15.24 ± 0.30
4	15.24 ± 0.15	20.32 ± 0.30
5	20.32 ± 0.15	25.4 ± 0.30
6	25.4 ± 0.15	30.48 ± 0.30
7	30.48 ± 0.20	35.56 ± 0.50
8	35.56 ± 0.20	40.64 ± 0.50
9	40.64 ± 0.20	45.72 ± 0.50
10	45.72 ± 0.20	50.8 ± 0.50
11	50.8 ± 0.30	55.88 ± 0.50
12	55.88 ± 0.30	60.96 ± 0.50
13	60.96 ± 0.30	66.04 ± 0.70
14	66.04 ± 0.30	71.12 ± 0.70
15	71.12 ± 0.30	76.2 ± 0.70
16	76.2 ± 0.30	81.28 ± 0.70
17	81.28 ± 0.30	86.36 ± 0.70
18	86.36 ± 0.30	91.44 ± 0.70
19	91.44 ± 0.30	96.52 ± 0.70
20	96.52 ± 0.30	101.6 ± 1.0
21	101.6 ± 0.30	106.68 ± 1.0
22	106.68 ± 0.30	111.76 ± 1.0
23	111.76 ± 0.30	116.84 ± 1.0
24	116.84 ± 0.30	121.92 ± 1.0



PCB terminal block - 5.08 mm pitch  
*Morsetto da circuito stampato - passo 5.08 mm*

All Pictures shown are for illustration  
purpose only. Specifications are subject to  
change without notice

Le immagini sono inserite a scopo  
illustrativo. I prodotti possono subire  
modifiche.



ELECTRONIC  
ELECTROMECHANICAL  
COMPONENTS  
PARTNER & DEALER



Via Monferrato, 43  
20098 San Giuliano Milanese  
ITALY

T. +39 02 55.60.61.01  
F. +39 02 55.60.71.43

[www.klemi-contact.com](http://www.klemi-contact.com)