

All rights are strictly reserved. Reproduction or disclosure to third parties in any form whatever is not permitted without written authorization from the proprietor. A violation is punishable.



FUSE HOLDERS FOR FLYING CONNECTION PORTAFUSIBILI PER CONNESSIONI VOLANTI



CODE
HF5S01

FUSE FUSIBILE	CURRENT RATING CORRENTE NOM.	VOLTAGE RATING TENSIONE NOM.	CABLE CAVO
5 x 20 mm	2 A	48 V	0.25÷2 mm ²



PC 1

IP20

- ✓ **Screw cable clamping** Serraggio cavo a vite
- ✓ **Bayonet closure** Chiusura a baionetta
- ✓ **2 A fuse already inserted** Fusibile da 2 A già inserito

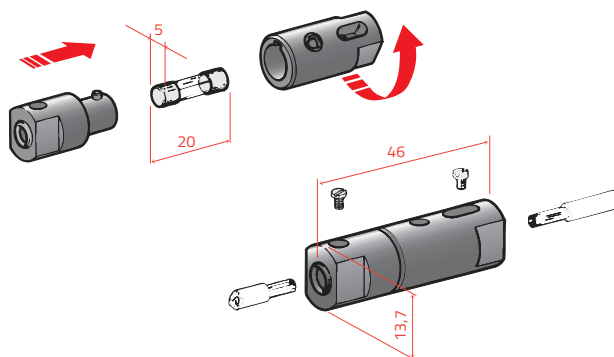


25 pz. - 100 pz.

Housing Corpo isolante	Thermoset Termodurente	UL 94 V-0
Contacts Contatti	CuZn	
Operating temperature Temperatura operativa	Max. 75°C @ 2 A	



Closed body fuse holder
Portafusibile a corpo chiuso



FUSES FUSIBILI

GROUP	INT.	I. RATING I. NOM.	V. RATING TENS. NOM.	BREAKING CAPACITY CAPACITÀ DI ROTTURA	APPROVAL OMOLOGAZIONE	NORM	MATERIAL MATERIALE
522.400	TT	100 mA ~ 10 A	250 V	35 A		Fabrique Norm. Norma di fabbr.	Glass Vetro
522.000	T	1,6 A ~ 16 A	250 V	300 A		DIN 41.571-3	Glass + EA Vetro + PSA
UL 522.200	T	80 mA ~ 10 A	125 V - 250 V	35 A / 100 A 200 A / 10.000 A		UL 248-14 UL 248-1	Glass Vetro
522.300	T	32 mA ~ 10 A	250 V	150 A		EN 60127-2-6	Glass Vetro
522.500	T	32 mA ~ 12,5 A	250 V	35 A ~ 125 A		EN 60127-2-3	Glass Vetro
522.600	T	100 mA ~ 10 A	250 V	200 A		EN 60127-2-5	Cer + EA Cer + PSA
522.700	T	100 mA ~ 12,5 A	250 V	1500 A		EN 60127-2-5	Cer / Cer + EA Cer / Cer + PSA
521.000	M	32 mA ~ 20 A	250 V	80 A ~ 300 A 1000 A		DIN 41.571-2	Glass / Glass + EA Vetro / Vetro + PSA
UL 521.000	M	100 mA ~ 7 A	250 V	35 A / 100 A 10.000 A		UL 248-14 UL 248-1	Glass Vetro
521.500	M	630 mA ~ 16 A	250 V	1500 A		Fabrique Norm. Norma di fabbr.	Cer + EA Cer + PSA
520.000	F	500 mA ~ 16 A	250 V	20 A ~ 1000 A		DIN 41.571-1	Glass + EA Vetro + PSA
520.500	F	50 mA ~ 16 A	250 V	1500 A		EN 60127-2-1 DIN 41.660	Ceramic Ceramica
520.600	F	32 A ~ 10 A	250 V	35 A / 100 A		EN 60127-2-2 DIN 41.661	Glass Vetro
UL 520.600	F	80 mA ~ 10 A	125 V / 250 V	35 A / 100 A 200 A / 10.000 A		UL 248-14 UL 248-1	Glass Vetro
520.100	FF	100 mA ~ 16 A	250 V	35 A / 1500 A		IEC 60127-2/A2	Glass / Cer + EA Vetro / Cer + PSA
528.100	M	32 mA ~ 10 A	250 V	80 A / 1500 A		DIN 41557-2	Cer + EA Cer + PSA
520.100-420V	FF	8 A ~ 16 A	420 V	200 A ac 300 A dc		Fabrique Norm. Norma di fabbr.	Cer + EA Cer + PSA

All Pictures shown are for illustration purpose only. Specifications are subject to change without notice

Le immagini sono inserite a scopo illustrativo. I prodotti possono subire modifiche.



ELECTRONIC
ELECTROMECHANICAL
COMPONENTS
PARTNER & DEALER



Via Monferrato, 43
20098 San Giuliano Milanese
I T A L Y

T. +39 02 55.60.61.01
F. +39 02 55.60.71.43

www.klemi-contact.com