

All rights are strictly reserved. Reproduction or disclosure to third parties in any form whatever is not permitted without written authorization from the proprietor. A violation is punishable.



BASE MOUNTING FUSE HOLDERS PORTAFUSIBILI BASETTA

Open body fuse holder with side terminals
Portafusibile a corpo aperto con terminali laterali

CODE
HB6W01



FUSE FUSIBILE	CURRENT RATING CORRENTE NOM.	VOLTAGE RATING TENSIONE NOM.	TERMINAL TERMINALE
6,3 x 32 mm	6,3 A	250 V	SOLDERING



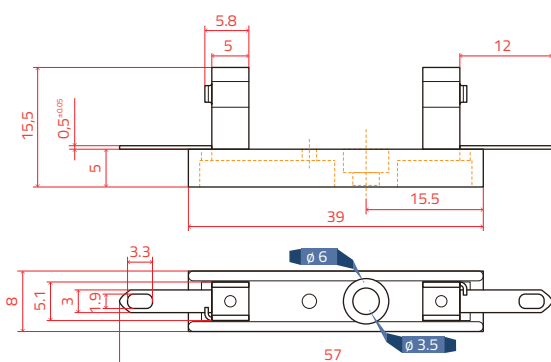
PC 1

ac/dc

✓ **Fastening with screws M3 x 4,5 mm**
Fissaggio a vite M3 x 4,5 mm



100 pz.



Housing Corpo isolante	White thermoplastic Termoplastica bianca	UL 94 V-0
Contacts Contatti	CuZn	
Plating Finitura	Tinned Stagnato	
Pitch Passo	35 mm	

FUSES FUSIBILI

GROUP	INT.	I. RATING I. NOM.	V. RATING TENS. NOM.	BREAKING CAPACITY CAPACITÀ DI ROTTURA	APPROVAL OMOLOGAZIONE	NORM	MATERIAL MATERIALE
632.300	T	32 mA ~ 30 A	250 V	35 A / 1000 A		Fabrique Norm. Norma di fabb.	Glass / Glass + EA Vetro / Vetro + PSA
UL 632.300	T	63 mA ~ 15 A	125 V / 250 V	35 A / 100 A 200 A 10.000 A		UL 248-14 UL 248-1	Glass Vetro
632.700	T	100 mA ~ 25 A	250 V / 500 V	35 A ~ 1.000 A		Fabrique Norm. Norma di fabb.	Cer / Cer + EA Cer / Cer + PSA
UL 632.700	T	63 mA ~ 15 A	125 V / 250 V	35 A / 100 A 200 A 10.000 A		UL 248-14 UL 248-1	Cer + EA Cer + PSA
632.900	T	50 mA ~ 2 A	500 V	35 A / 1.000 A		Fabrique Norm. Norma di fabb.	Glass Vetro
1.632.700	T	32 mA ~ 32 A	250 V ~ 500 V	1500 A		Fabrique Norm. Norma di fabb.	Cer + EA Cer + PSA
632.200	M	32 mA ~ 25 A	250 V	35 A / 1000 A		Fabrique Norm. Norma di fabb.	Glass / Glass + EA Vetro / Vetro + PSA
TDC180	F	1 A ~ 13 A	32 V	6.000 A		IEC 60269-3	Ceramic Ceramica
140.000	F	5 A ~ 40 A	32 V	-		Fabrique Norm. Norma di fabb.	Glass Vetro
632.000	F	80 mA ~ 25 A	250 V	1000 A		Fabrique Norm. Norma di fabb.	Glass / Glass + EA Vetro / Vetro + PSA
632.500	F	100 mA ~ 25 A	500 V	1000 A		Fabrique Norm. Norma di fabb.	Cer / Cer + EA Cer / Cer + PSA
UL 632.500	F	100 mA ~ 20 A	125 V / 250 V	35 A ~ 10.000 A		UL 248-14 UL 248-1	Cer + EA Cer + PSA
632.500-X	F	10 A ~ 30 A	500 V	20.000 A / 30.000 A		Fabrique Norm. Norma di fabb.	Cer + EA Cer + PSA
632.600	F	50 mA ~ 16 A	60 V / 150 V 250 V	35 A ~ 10 A		DIN 41668 EN 60127-2-4	Glass Vetro
UL 632.600	F	100 mA ~ 15 A	125 V / 250 V	35 A / 100 A 200 A / 10.000 A		UL 248-14 UL 248-1	Glass + EA Vetro + PSA
1632.500	F	160 mA ~ 25 A	440 V / 500 V	1500 A ~ 50000 A		Fabrique Norm. Norma di fabb.	Cer + EA Cer + PSA
632.100	FF	100 mA ~ 25 A	250 V / 500 V	35 A / 1500 A		Fabrique Norm. Norma di fabb.	Glass / Cer + EA Vetro / Cer + PSA
632.400	FF	100 mA ~ 2 A	1000 V	30 kA		Fabrique Norm. Norma di fabb.	Cer + EA Cer + PSA

All Pictures shown are for illustration purpose only. Specifications are subject to change without notice

Le immagini sono inserite a scopo illustrativo. I prodotti possono subire modifiche.



ELECTRONIC
ELECTROMECHANICAL
COMPONENTS
PARTNER & DEALER



Via Monferrato, 43
20098 San Giuliano Milanese
I T A L Y

T. +39 02 55.60.61.01
F. +39 02 55.60.71.43

www.klemi-contact.com