



All rights are strictly reserved. Reproduction or disclosure to third parties in any form whatever is not permitted without written authorization from the proprietor. A violation is punishable.

## BASE MOUNTING FUSE HOLDERS PORTAFUSIBILI BASETTA

CODE  
**HB5W03**

<b>FUSE FUSIBILE</b>	<b>CURRENT RATING CORRENTE NOM.</b>	<b>VOLTAGE RATING TENSIONE NOM.</b>	<b>TERMINAL TERMINALE</b>
<b>5 x 20 mm</b>	<b>6,3 A</b>	<b>250 V</b>	<b>SOLDERING</b>

**RoHS**

PC 1

ac

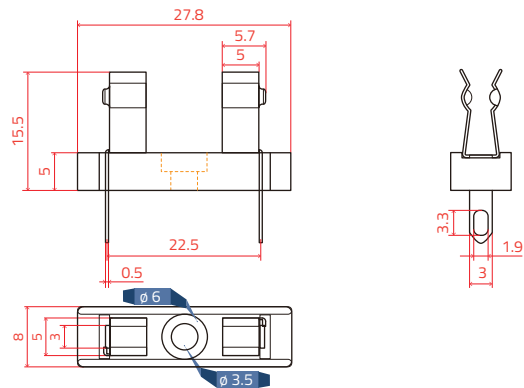
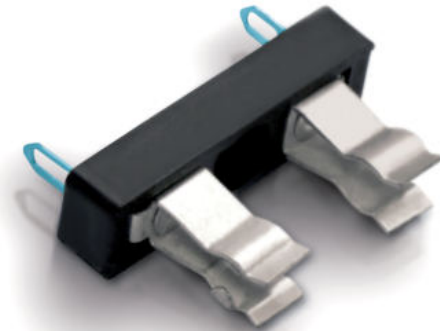
- ✓ **Fastening with screws M3 x 4,5 mm**  
Fissaggio a vite M3 x 4,5 mm
- ✓ **Available in white color**  
Disponibile anche di colore bianco



100 pz.

<b>Housing</b> Corpo isolante	Thermoplastic Termoplastica	Black Nero	<b>UL 94 V-0</b>
<b>Contacts</b> Contatti	CuZn		
<b>Plating</b> Finitura	Tinned Stagnato		
<b>Pitch</b> Passo	22,5 mm		

**Open body fuse holder with lower terminals**  
Portafusibile a corpo aperto con terminali inferiori



**FUSES FUSIBILI**

GROUP	INT.	I. RATING I. NOM.	V. RATING TENS. NOM.	BREAKING CAPACITY CAPACITÀ DI ROTTURA	APPROVAL OMOLOGAZIONE	NORM	MATERIAL MATERIALE	PAG.
522.400	TT	100 mA ~ 10 A	250 V	35 A		Fabrique Norm. Norma di fabb.	Glass Vetro	172
522.000	T	1,6 A ~ 16 A	250 V	300 A		DIN 41.571-3	Glass + EA Vetro + PSA	171
UL 522.200	T	80 mA ~ 10 A	125 V - 250 V	35 A / 100 A 200 A / 10.000 A	cULus	UL 248-14 UL 248-1	Glass Vetro	171
522.300	T	32 mA ~ 10 A	250 V	150 A		EN 60127-2-6	Glass Vetro	172
522.500	T	32 mA ~ 12,5 A	250 V	35 A ~ 125 A	cULus	EN 60127-2-3	Glass Vetro	173
522.600	T	100 mA ~ 10 A	250 V	200 A		EN 60127-2-5	Cer + EA Cer + PSA	173
522.700	T	100 mA ~ 12,5 A	250 V	1500 A	cULus	EN 60127-2-5	Cer / Cer + EA Cer / Cer + PSA	174
521.000	M	32 mA ~ 20 A	250 V	80 A ~ 300 A 1000 A		DIN 41.571-2	Glass / Glass + EA Vetro / Vetro + PSA	169
UL 521.000	M	100 mA ~ 7 A	250 V	35 A / 100 A 10.000 A	cULus	UL 248-14 UL 248-1	Glass Vetro	170
521.500	M	630 mA ~ 16 A	250 V	1500 A		Fabrique Norm. Norma di fabb.	Cer + EA Cer + PSA	170
520.000	F	500 mA ~ 16 A	250 V	20 A ~ 1000 A		DIN 41.571-1	Glass + EA Vetro + PSA	166
520.500	F	50 mA ~ 16 A	250 V	1500 A	cULus	EN 60127-2-1 DIN 41.660	Ceramic Ceramica	168
520.600	F	32 A ~ 10 A	250 V	35 A / 100 A	cULus	EN 60127-2-2 DIN 41.661	Glass Vetro	168
UL 520.600	F	80 mA ~ 10 A	125 V / 250 V	35 A / 100 A 200 A / 10.000 A	cULus	UL 248-14 UL 248-1	Glass Vetro	169
520.100	FF	100 mA ~ 16 A	250 V	35 A / 1500 A		IEC 60127-2/A2	Glass / Cer + EA Vetro / Cer + PSA	167
528.100	M	32 mA ~ 10 A	250 V	80 A / 1500 A		DIN 41557-2	Cer + EA Cer + PSA	174
520.100-420V	FF	8 A ~ 16 A	420 V	200 A ac 300 A dc		Fabrique Norm. Norma di fabb.	Cer + EA Cer + PSA	167

All Pictures shown are for illustration purpose only. Specifications are subject to change without notice

Le immagini sono inserite a scopo illustrativo. I prodotti possono subire modifiche.



ELECTRONIC  
ELECTROMECHANICAL  
COMPONENTS  
PARTNER & DEALER



Via Monferrato, 43  
20098 San Giuliano Milanese  
I T A L Y

T. +39 02 55.60.61.01  
F. +39 02 55.60.71.43

[www.klemi-contact.com](http://www.klemi-contact.com)