

All rights are strictly reserved. Reproduction or disclosure to third parties in any form whatever is not permitted without written authorization from the proprietor. A violation is punishable.



BASE MOUNTING FUSE HOLDERS PORTAFUSIBILI BASETTA

BASE MOUNTING FUSE HOLDERS PORTAFUSIBILI A BASETTA

Open body fuse holder with screw connection
Portafusibile a corpo aperto con collegamento a vite

CODE
HB0S01



FUSE FUSIBILE 10,3 x 38 mm	CURRENT RATING CORRENTE NOM. 20 A	VOLTAGE RATING TENSIONE NOM. 250 V	FIXING FISSAGGIO M4x8 screw
---	---	--	--



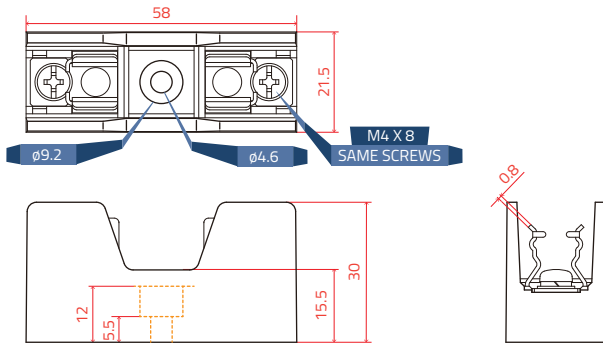
PC 1

☑ **Fastening with screws M4 x 8 mm**
Fissaggio a vite M4 x 8 mm



100 pz.

Housing Corpo isolante	Phenolic resin Resina fenolica	Black Nero	UL 94 V-0
Contacts Contatti	Copper alloy Lega di rame		
Insulation resistance Resistenza di isolamento	> 100 MΩ @ 500 V dc		
Operating temperature Temperatura operativa	Min. -5 °C / Max. +40 °C @ 20 A		



FUSES FUSIBILI

GROUP	INT.	I. RATING I. NOM.	V. RATING TENS. NOM.	BREAKING CAPACITY CAPACITÀ DI ROTTURA	APPROVAL OMOLOGAZIONE	NORM	MATERIAL MATERIALE	PAG.
1.038.300	T/aM	160 mA ~ 32 A	400 V / 500 V	120 kA		IEC 60269-1 IEC 60269-2	Cer + EA Cer + PSA	191
FNQ-R	T	250 mA ~ 30 A	600 V	200 kA		UL No. 248-14 UL No. 248-1	Melamine Melammina	193
1.038.400	F	200 mA ~ 30 A	600 V	100 kA		UL No. 248-14	Melamine Melammina	192
1.038.600	F/gG	500 mA ~ 32 A	400 / 500 V	120 kA		IEC 60269-1 IEC 60269-2	Cer + EA Cer + PSA	192
1.038.100	FF/gR	1 A ~ 32 A	690 V	160 kA		IEC 60269-4	Cer + EA Cer + PSA	191
1.038.800	FF/gR	500 mA ~ 25 A	1000 V	30 kA		IEC 60269-1	Cer + EA Cer + PSA	193
1.038.700	gPV	1 A - 25 A	1000 V	30 kA		UL 2579 If=1,35In	Ceramic Ceramica	194
UL 1.038.700	gPV	1 A - 25 A	1000 V	30 kA		UL 2579 If=1,35In	Cer + EA Cer + PSA	195
1.038.500	FF/gR	2 A - 25 A	700 V	30 kA		IEC 60269-4	Ceramic Ceramica	194
1.038.900	FF/gR	2 A - 25 A	900 V	30 kA		IEC 60269 If=1,45In	Cer + EA Cer + PSA	195

All Pictures shown are for illustration purpose only. Specifications are subject to change without notice

Le immagini sono inserite a scopo illustrativo. I prodotti possono subire modifiche.



ELECTRONIC
ELECTROMECHANICAL
COMPONENTS
PARTNER & DEALER



Via Monferrato, 43
20098 San Giuliano Milanese
I T A L Y

T. +39 02 55.60.61.01
F. +39 02 55.60.71.43

www.klemi-contact.com